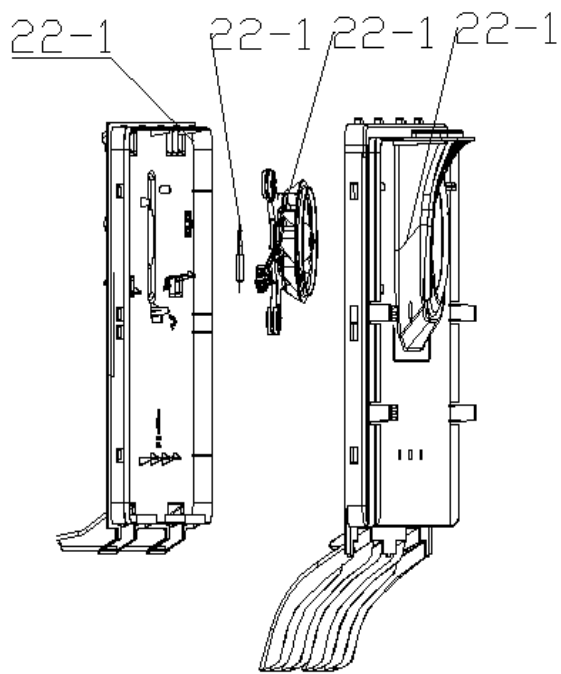
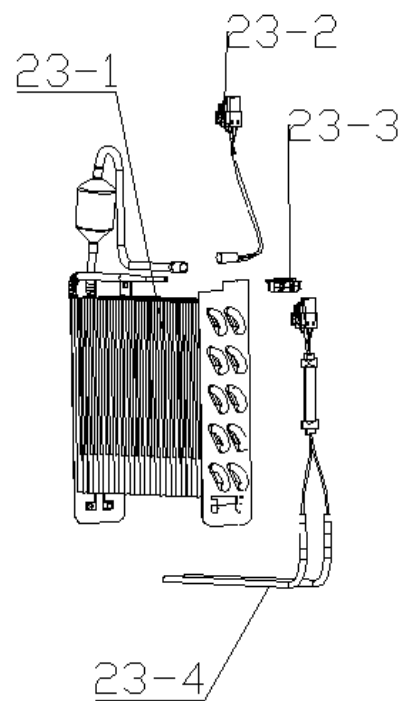


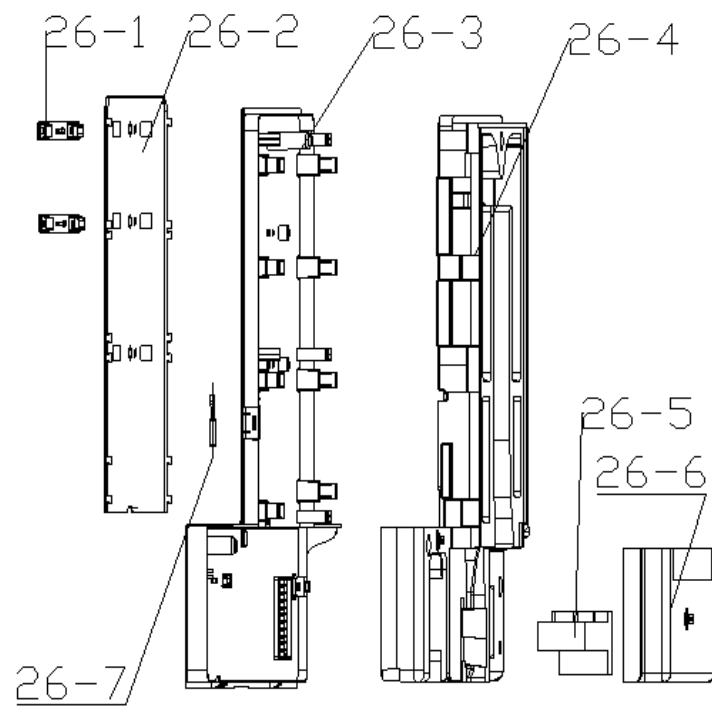
NO.22



NO.23



NO.26



NO.30and31

